

# BRAVO SV



columbia

owned & operated by **schweitzer** industries



This family of elegant serve-over counters offers a solution to meet individual customer requirements in terms of refrigeration performance and budget.

- Harmonious, ergonomic design
- Available in 3 heights

\*\* The energy class information given here refers to standard models and precise product configurations and fittings. Other configurations may result in a significant change in the energy class information.

## Available lengths:

1250\*, 1875\*, 2188 (headpiece) , 2500, 3125 and 3750 mm

## Available versions:

B+1 H.1230 mm, B+2 H. 1390mm, B+3 H. 1590 mm

## Dimensions:

Outer Depth: 1100 mm, Display Depth: 850 mm

## Temperature class: 3M1

**Refrigerant Remote:** CO2/R449A/R513A

**Refrigerant Plug-In:** R290\*

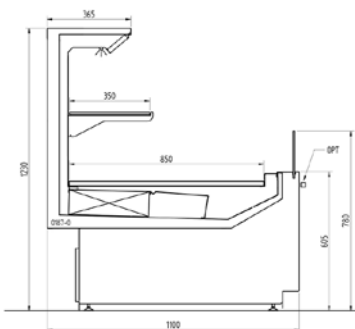
## Standard features:

- Front panel in RAL-9005. Other colours available on request
- Display in RAL 9005
- Flat tempered front glass
- LED Lighting under canopy 3000K. Other LED-lighting on request
- Evaporator treated in cataphoresis

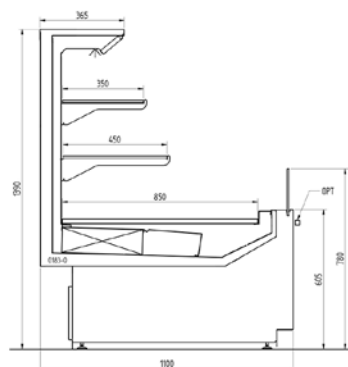
## Options:

- Stainless steel bumper rail 20x20
- Display in stainless steel
- Electric defrosting
- Front ventilation
- LED lighting under shelves
- Manual night curtain
- Product retainer riser in glass or Plexiglas

## SV B+1



## SV B+2



## SV B+3

